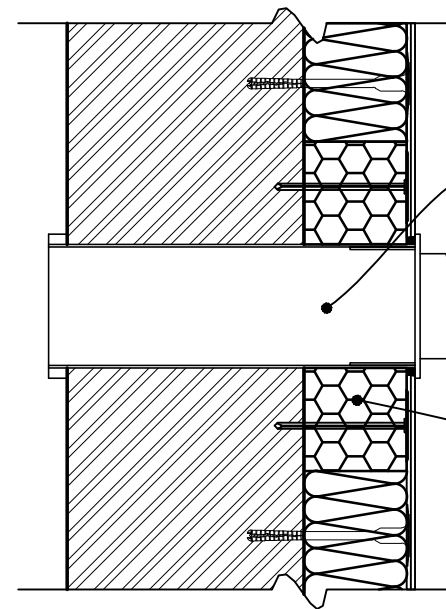
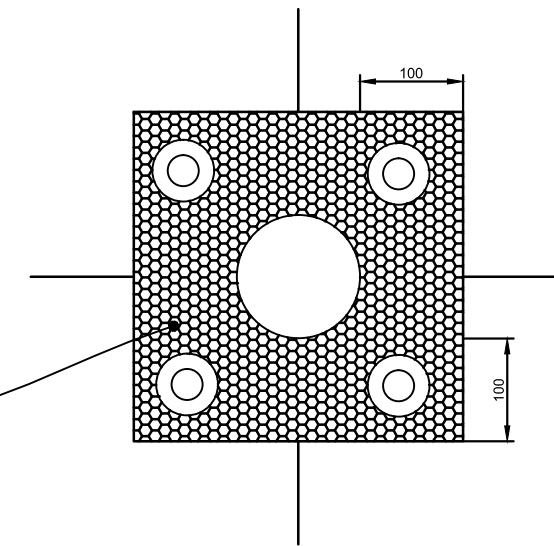


Main Contractor or Installer to ensure ventilation pipes are extended with suitable vent extension pipes, sealed with suitable cover plate provided. System to be taken around pipe, and a silicone mastic seal provided around the pipe



Main Contractor or Installer to ensure ventilation pipes are extended with suitable vent extension pipes, sealed with suitable cover plate provided. System to be taken around pipe, and a silicone mastic seal provided around the pipe

For hot extract vents, allow for 100mm surround of mineral wool insulation fixed with stainless steel fixings



COLD EXTRACT VENT EXTENSION DETAIL

FLUE/HOT EXTRACT VENT EXTENSION DETAIL

ELEVATION ON MINERAL WOOL EXTRACT SURROUND

Date:	Rev:	Notes	Date:	Rev:	Notes	Date:	10/06/2013	DETAIL REF:	A.15	Rev:	P1	Genesis Centre North Staffs Business Park Innovation Way Stoke-on-Trent ST6 4BF Tel: 01782 366090 Fax: 01782 366091 Mobile: 07824 34 4643
						Drawn by:	JT	TITLE:	FLUE / EXTRACT DETAILS			
						Checked by:	IC					
						Scale :	NTS					