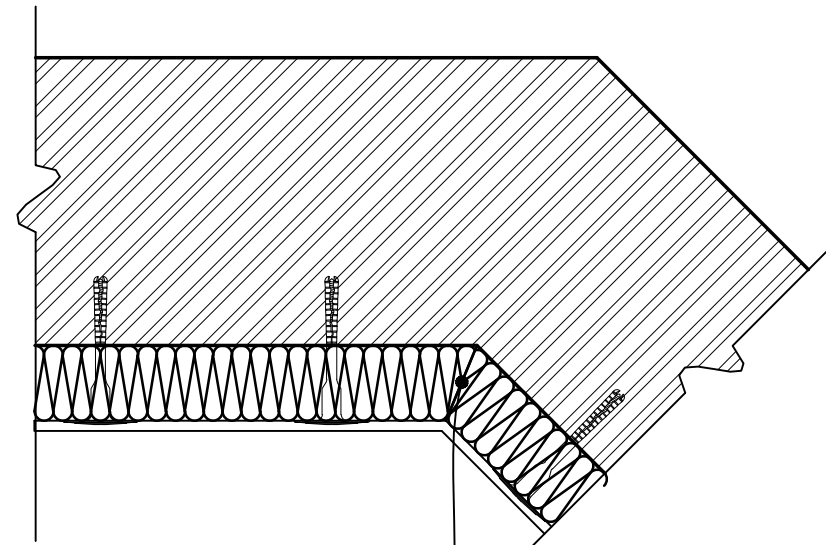


Insulation cut at 45 degrees and render returned to frame with silicone mastic seal. Allow for meshed corner bead splayed to 45 degrees

**BAY WINDOW REVEAL
(PLAN)**



Insulation board cut at ends to form angle required and but jointed together, allow for double mesh to angle

**BAY WINDOW PLINTH
(PLAN)**

Date:	Rev:	Notes	Date:	Rev:	Notes	Date:	10/06/2013	DETAIL REF:	A.21	Rev:	P1	Genesis Centre North Staffs Business Park Innovation Way Stoke-on-Trent ST6 4BF Tel: 01782 366090 Fax: 01782 366091 Mobile: 07824 34 4643
						Drawn by:	JT	TITLE:	BAY WINDOW DETAILS			
						Checked by:	IC					
						Scale :	NTS					